



## SPECIFICATION SHEET 16 GAUGE SOILED DISH TABLES



### SPECS:

Standard Soiled Dish Table, "L" designates left-to-right operation, "R" designates right-to-left operation, 16 gauge S/S 300 series top and bowl, 10" backsplash with 2" return, 20"W x 20"L x 6"D bowl, stainless steel leg gussets, galvanized legs and adjustable polymer feet, NSF approved

### FEATURES:

**Material:** 16 Ga 300 Stainless steel  
**Backsplash:** 10"H with 2" Return (clip down)  
**Bowl:** 20"W x 20"L x 6"D  
**Edge:** Raised 1.5" Rolled edge  
**Legs and Bracing:** 1 5/8" Galvanized steel  
**Feet:** Polymer bullet feet (adjustable)  
**Basket Strainer:** 3.5" (included)  
**NSF Certified:** Yes

### SOILED DISH TABLES:

16-DDTG-36L / 16-DDTG-36R  
16-DDTG-48L / 16-DDTG-48R  
16-DDTG-60L / 16-DDTG-60R  
16-DDTG-72L / 16-DDTG-72R

### OPTIONS:

Stainless Steel Legs and Bracing and Feet  
Rack Slides  
Scrap Baskets

### CONSTRUCTION:

**Top and Bowl:** 16 Gauge 300 series stainless steel  
**Leg Gussets:** Stainless steel  
**Legs and Bracing:** 1 5/8" Galvanized steel  
**Feet:** 1" Adjustable high impact polymer bullet style

### PLUMBING:

1 1/8" Faucet holes on 8" centers  
3.5" Waste drain



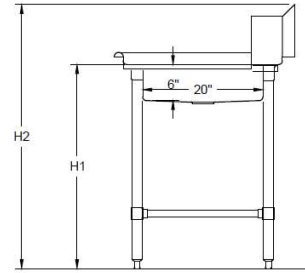
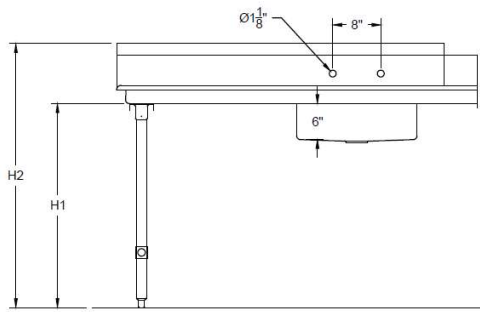
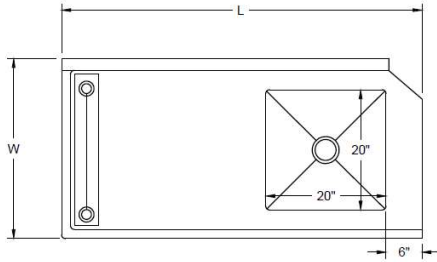
FENIX SOL

2441 Merchantile Dr. Ste B  
Rancho Cordova, CA 95742

844-650-5738  
info@fenixsol.com  
www.fenixsol.com



**SPECIFICATION SHEET  
16 GAUGE SOILED DISH TABLES**



16 GAUGE 304 S/S SOILED DISH TABLE						
MODEL NUMBER	OVERALL SIZE					
	LENGTH	WIDTH	HEIGHT	HEIGHT	WEIGHT	BACK SPLASH
	L	W	H1	H2		
16-DDTG-36L	36	30	34	44	56	10
16-DDTG-36R	36	30	34	44	56	10
16-DDTG-48L	48	30	34	44	66	10
16-DDTG-48R	48	30	34	44	66	10
16-DDTG-60L	60	30	34	44	76	10
16-DDTG-60R	60	30	34	44	76	10
16-DDTG-72L	72	30	34	44	86	10
16-DDTG-72R	72	30	34	44	86	10