



SPECIFICATION SHEET
18 GAUGE S/S ECONOMY WORK TABLE - 2" BACKSPLASH



ECONOMY WORK TABLES:

18-4-WT24X24G-2
18-4-WT24X30G-2 / 18-4-WT30X30G-2
18-4-WT24X36G-2 / 18-4-WT30X36G-2
18-4-WT24X48G-2 / 18-4-WT30X48G-2
18-4-WT24X60G-2 / 18-4-WT30X60G-2
18-4-WT24X72G-2 / 18-4-WT30X72G-2
18-4-WT24X84G-2 / 18-4-WT30X84G-2
18-4-WT24X96G-2 / 18-4-WT30X96G-2

All worktables over 72" have 6 legs. All worktables shipped knocked down.

SPECS:

Standard Worktable, 18 gauge S/S 400 series top, 2" backsplash, welded construction, adjustable galvanized undershelf, galvanized legs and adjustable polymer feet, shipped knocked down, tables over 72" have 6 legs, NSF approved

OPTIONS:

Casters
Drawers
Table Mounted Shelves

FEATURES:

Material: 18 Ga 400 Stainless Steel
Backsplash: 2" (Turn up)
Undershelf: Galvanized steel
Legs: 1 5/8" Galvanized Steel
Feet: Polymer Bullet Feet (adjustable)
NSF Certified: Yes



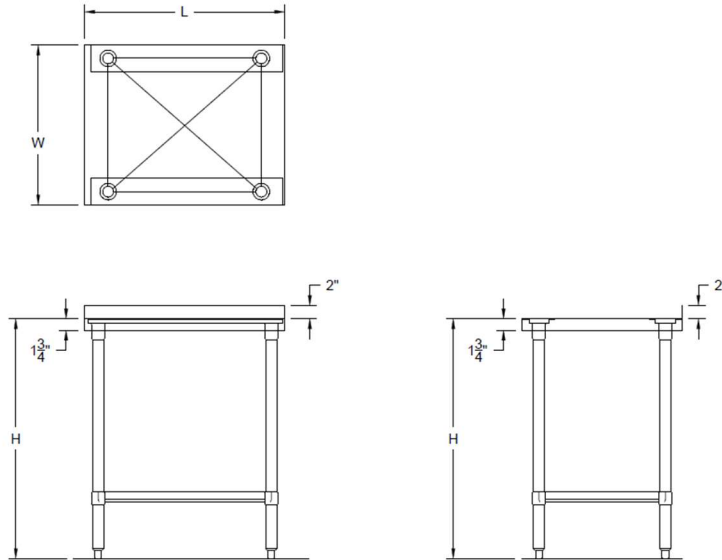
FENIX SOL

2441 Merchantile Dr. Ste B
Rancho Cordova, CA 95742

844-650-5738
info@fenixsol.com
www.fenixsol.com



SPECIFICATION SHEET
18 GAUGE S/S ECONOMY WORK TABLE – 2” BACKSPLASH



18 GA. 430 S/S WORK TABLE - 2" BACKSPLASH - GALV. LEGS AND UNDERSHELF						
MODEL NUMBER	OVERALL SIZE					
	WIDTH	LENGTH	HEIGHT	BACK SPLASH	WEIGHT	QTY PER BOX
	W	L	H			
18-4-WT24X24G-2	24	24	36	2	38	1
18-4-WT24X30G-2	24	30	36	2	42	1
18-4-WT24X36G-2	24	36	36	2	48	1
18-4-WT24X48G-2	24	48	36	2	60	1
18-4-WT24X60G-2	24	60	36	2	70	1
18-4-WT24X72G-2	24	72	36	2	80	1
18-4-WT24X84G-2	24	84	36	2	98	1
18-4-WT24X96G-2	24	96	36	2	108	1
18-4-WT30X30G-2	30	30	36	2	47	1
18-4-WT30X36G-2	30	36	36	2	54	1
18-4-WT30X48G-2	30	48	36	2	66	1
18-4-WT30X60G-2	30	60	36	2	79	1
18-4-WT30X72G-2	30	72	36	2	89	1
18-4-WT30X84G-2	30	84	36	2	109	1
18-4-WT30X96G-2	30	96	36	2	123	1

All worktables are shipped knocked down. Tables over 72" have 6 legs.