



**SPECIFICATION SHEET**  
**18 GAUGE S/S ECONOMY WORK TABLE - 4" BACKSPLASH**



**ECONOMY WORK TABLES:**

18-4-WT24X24G-4  
18-4-WT24X30G-4 / 18-4-WT30X30G-4  
18-4-WT24X36G-4 / 18-4-WT30X36G-4  
18-4-WT24X48G-4 / 18-4-WT30X48G-4  
18-4-WT24X60G-4 / 18-4-WT30X60G-4  
18-4-WT24X72G-4 / 18-4-WT30X72G-4  
18-4-WT24X84G-4 / 18-4-WT30X84G-4  
18-4-WT24X96G-4 / 18-4-WT30X96G-4

All worktables over 72" have 6 legs. All worktables shipped knocked down.

**SPECS:**

Standard Worktable, 18 gauge S/S 400 series top, welded construction, 4" backsplash with 1" return, adjustable galvanized undershelf, galvanized legs and adjustable polymer feet, shipped knocked down, tables over 72" have 6 legs, NSF approved

**OPTIONS:**

Casters  
Drawers  
Table Mounted Shelves

**FEATURES:**

**Material:** 18 Ga 400 Stainless Steel  
**Backsplash:** 4" with 1" return  
**Undershelf:** Galvanized steel  
**Legs:** 1 5/8" Galvanized Steel  
**Feet:** Polymer Bullet Feet (adjustable)  
**NSF Certified:** Yes



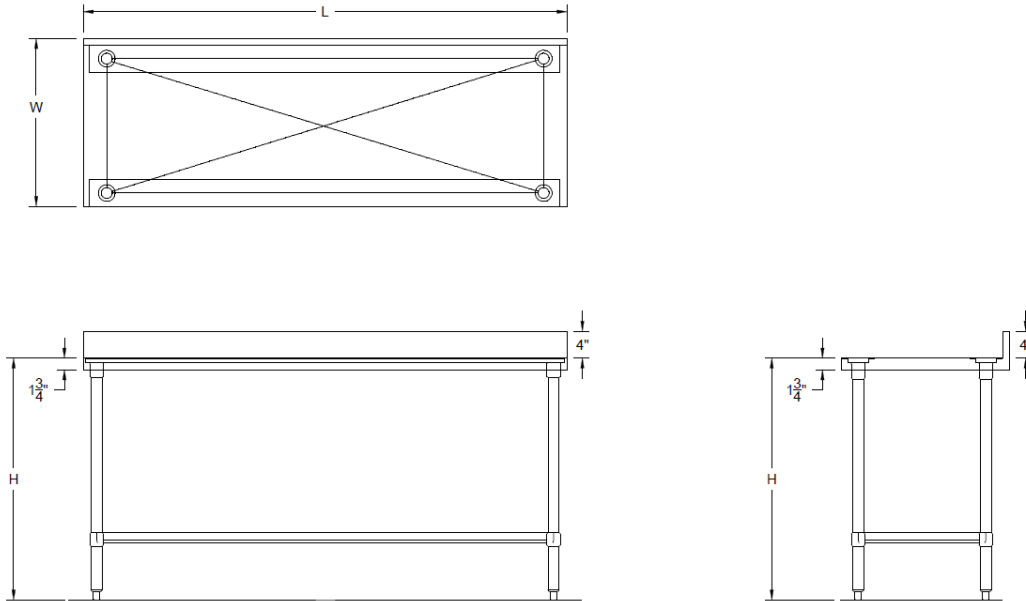
**FENIX SOL**

2441 Merchantile Dr. Ste B  
Rancho Cordova, CA 95742

844-650-5738  
info@fenixsol.com  
www.fenixsol.com



**SPECIFICATION SHEET**  
**18 GAUGE S/S ECONOMY WORK TABLE – 4” BACKSPLASH**



**18 GA. 430 S/S WORK TABLE - 4" BACKSPLASH - GALV. LEGS AND UNDERSHELF**

MODEL NUMBER	OVERALL SIZE					
	WIDTH	LENGTH	HEIGHT	BACK SPLASH	WEIGHT	QTY PER BOX
	W	L	H			
18-4-WT24X24G-4	24	24	36	4	40	1
18-4-WT24X30G-4	24	30	36	4	46	1
18-4-WT24X36G-4	24	36	36	4	50	1
18-4-WT24X48G-4	24	48	36	4	62	1
18-4-WT24X60G-4	24	60	36	4	73	1
18-4-WT24X72G-4	24	72	36	4	83	1
18-4-WT24X84G-4	24	84	36	4	103	1
18-4-WT24X96G-4	24	96	36	4	115	1
18-4-WT30X30G-4	30	30	36	4	50	1
18-4-WT30X36G-4	30	36	36	4	57	1
18-4-WT30X48G-4	30	48	36	4	70	1
18-4-WT30X60G-4	30	60	36	4	82	1
18-4-WT30X72G-4	30	72	36	4	96	1
18-4-WT30X84G-4	30	84	36	4	118	1
18-4-WT30X96G-4	30	96	36	4	129	1

**All worktables are shipped knocked down. Tables over 72" have 6 legs.**