



SPECIFICATION SHEET
18 GAUGE S/S ECONOMY WORK TABLE - 4" BACKSPLASH



ECONOMY WORK TABLES:

18-4-WT30X36S-4
18-4-WT30X48S-4
18-4-WT30X60S-4
18-4-WT30X72S-4
18-4-WT30X84S-4
18-4-WT30X96S-4

All worktables over 72" have 6 legs. All worktables shipped knocked down.

SPECS:

Standard Worktable, 18 gauge S/S 400 series top, welded construction for consistent thickness throughout, 4" backsplash with 1" return, adjustable stainless steel undershelf, stainless steel legs and adjustable stainless steel feet, shipped knocked down, tables over 72" have 6 legs, NSF approved

FEATURES:

Material: 18 Ga 400 Stainless Steel
Backsplash: 4" with 1" return
Undershelf: Stainless Steel
Legs: 1 5/8" Stainless Steel
Feet: Stainless Steel Bullet Feet (adjustable)
NSF Certified: Yes

OPTIONS:

Casters
Drawers
Table Mounted Shelves



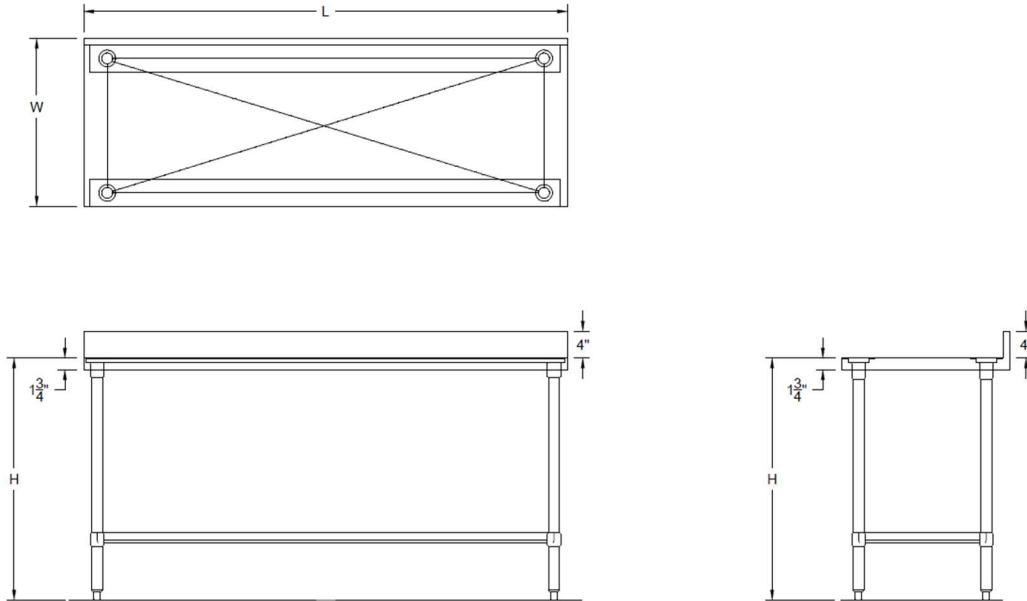
FENIX SOL

2441 Merchantile Dr. Ste B
Rancho Cordova, CA 95742

844-650-5738
info@fenixsol.com
www.fenixsol.com



SPECIFICATION SHEET
18 GAUGE S/S ECONOMY WORK TABLE – 2” BACKSPLASH



18 GA. 430 S/S WORK TABLE - 2" BACKSPLASH - S/S LEGS AND UNDERSHELF						
MODEL NUMBER	OVERALL SIZE					
	WIDTH	LENGTH	HEIGHT	BACK SPLASH	WEIGHT	QTY PER BOX
	W	L	H			
18-4-WT30X36S-4	30	36	36	4	60	1
18-4-WT30X48S-4	30	48	36	4	74	1
18-4-WT30X60S-4	30	60	36	4	89	1
18-4-WT30X72S-4	30	72	36	4	103	1
18-4-WT30X84S-4	30	84	36	4	117	1
18-4-WT30X96S-4	30	96	36	4	132	1

All worktables are shipped knocked down. Tables over 72" have 6 legs.