



## SPECIFICATION SHEET 10-12" DEEP THREE COMPARTMENT 18 GAUGE S/S SINKS



### SPECS:

10-12" Deep Economy Series Sink, three compartments, left drainboard, 9" backsplash with 2" return, 18 gauge S/S 300 series top and bowl, stainless steel leg gussets, galvanized legs and adjustable polymer feet, raised 1.5" rolled edge, 3.5" basket strainers, NSF approved

### FEATURES:

**Material:** 18 Ga 300 Stainless steel  
**Backsplash:** 9"H with 2" return (clip down)  
**Edge:** Raised 1.5" Rolled edge  
**Drainboards:** Left  
**Legs:** 1 5/8" Galvanized steel  
**Feet:** Polymer bullet feet (adjustable)  
**Basket Drains:** 3.5" (Included)  
**NSF Certified:** Yes

### 12" DEEP ECONOMY SERIES SINKS:

18G-3C10X14-L12  
18G-3C16X20-L18  
18G-3C18X18-L18  
18G-3C18X24-L18

### OPTIONS:

Pre-Rinse Units and Faucets  
Lever Drains  
Rack Slides  
Stainless Steel Scrap Baskets  
Stainless Steel Legs and Bracing

### CONSTRUCTION:

**Top and Bowl:** 18 Gauge 300 series stainless steel  
**Leg Gussets:** Stainless steel  
**Legs:** 1 5/8" Galvanized steel  
**Feet:** 1" Adjustable high impact polymer bullet style

### PLUMBING:

1 1/8" Faucet holes on 8" centers  
3.5" Waste drains



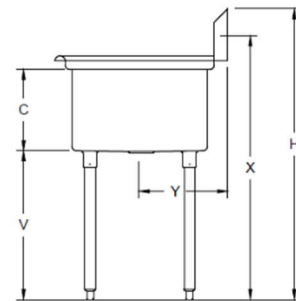
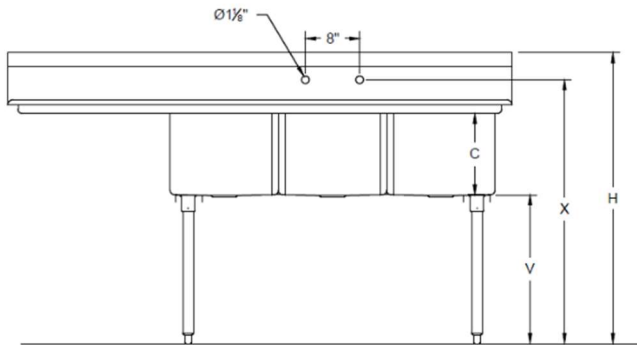
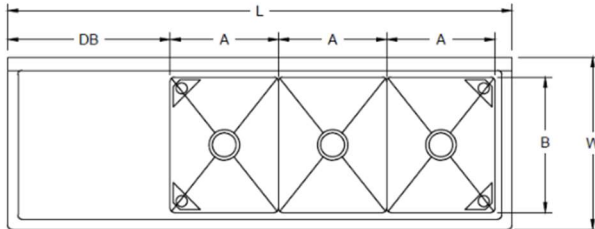
FENIX SOL

2441 Merchantile Dr. Ste B  
Rancho Cordova, CA 95742

844-650-5738  
info@fenixsol.com  
www.fenixsol.com



**SPECIFICATION SHEET**  
**10" - 12" DEEP THREE COMPARTMENT 18 GAUGE S/S SINKS**



**18 GAUGE 304 S/S SPACE SAVER SINK**  
**10" - 12" DEEP - 3 COMPARTMENT**

MODEL NUMBER	DRAINBOARD		OVERALL SIZE				BOWL DIMENSIONS			INSTALL DIMENSIONS		
	DRAIN BOARD	LENGTH	LENGTH	WIDTH	HEIGHT	WEIGHT	LENGTH	WIDTH	DEPTH	V	X	Y
			L	W	H		A	B	C			
18G-3C10X14-L12	L	12	44.5	19.8	43	72	10	14	10	24	39	10
18G-3C16X20-L18	L	18	68.5	25.8	43	81	16	20	12	22	39	11.5
18G-3C18X18-L18	L	18	74.5	23.8	43	84	18	18	12	22	39	11.5
18G-3C18X24-L18	L	18	74.5	29.8	43	90	18	24	12	22	39	14.5